

2.92 Coaxial Fixed Terminations

Electrical Features

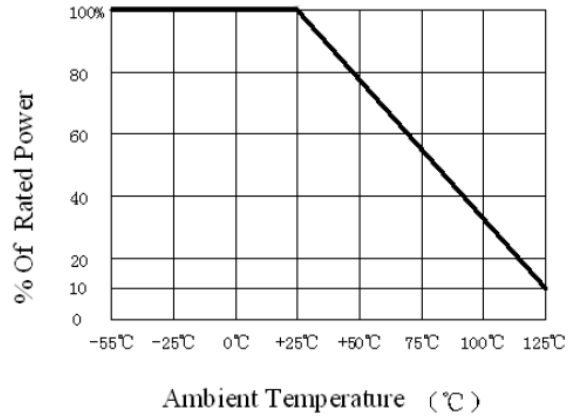
- ✧ **Nominal Impedance:** 50 Ω
- ✧ **Power Rating:** 2W-10W
- ✧ **Frequency Range:** DC-40GHz
- ✧ **Operating Temperature:** -55 $^{\circ}\text{C}$ to +125 $^{\circ}\text{C}$
- ✧ **Connector Type:** 2.92 (Male)



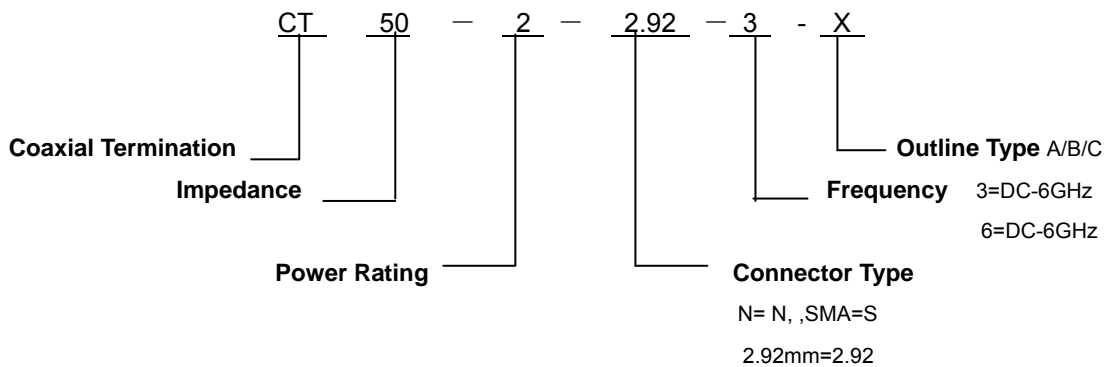
Mechanical Features

- ✧ **Housing:** Aluminum
- ✧ **Connectors:** Brass Gold Plated or Stainless Steel
- ✧ **Male Pin:** Brass Gold Plated
- ✧ **Female Pin:** Beryllium Copper Gold Plated
- ✧ **Mechanical Tolerance:** $\pm 5\%$
- ✧ **Packaging:** Box
- ✧ **RoHS Compliant**

Power Derating



HOW TO ORDER



General Specifications for 2.92 Connector 2W-10W DC-40GHz

Part Number	Rated Power(W)	Frequency Rang (GHz)	VSWR (Max.)	Connector Type	Dimensions (mm)
CT50-2-2.92-40	2	DC-40	1.20:1 @DC-20GHz 1.25:1 @20-31.5GHz 1.35:1 @31.5-40GHz	2.92(Male) 2.92(Female)	Φ 7.5×17.3 Φ 7.5×19
CT50-10-2.92-40	10	DC-40	1.35 :1	2.92(Male) 2.92(Female)	Φ 40.5×29.8

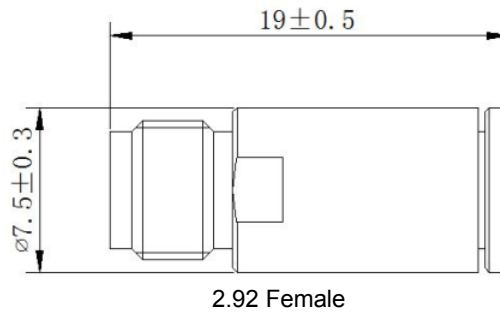
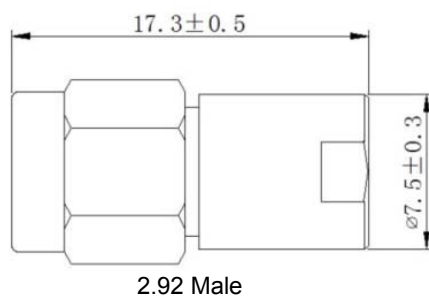
2.92, DC-40GHz, 2W

Electrical Specifications

- ✧ **Nominal Impedance:** 50 Ω
- ✧ **Power Rating:** 2W
- ✧ **Connector Type:** 2.92 Male or 2.92 Female
- ✧ **Operating Temperature:** -55°C ~ +125°C
- ✧ **RoHS Compliant**



Outline Drawing (mm)



Part Number	Frequency Range(GHz)	VSWR (Max.)	Dimensions (mm)	Weight (g)
CT50-2-2.92-40	DC-40	1.20:1 @ DC-20GHz 1.25:1 @ 20-31.5GHz 1.35:1 @ 31.5-40GHz	Φ7.5x17.3 Φ7.5x19	8

Notes:

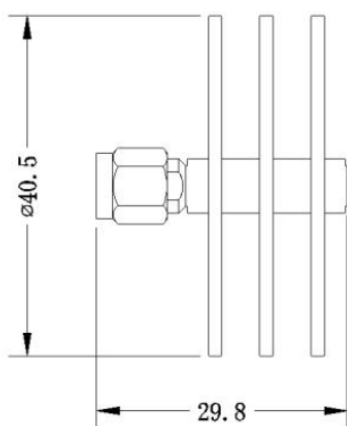
1. Input power shall meet the requirements of the power derating.
2. General peak power 10 times rated power (5μs pulse width, 1% duty cycle).

2.92, DC-40GHz, 10W

Electrical Specifications

- ◇ **Nominal Impedance:** 50 Ω
- ◇ **Power Rating:** 10W
- ◇ **Connector Type:** 2.92 Male or 2.92 Female
- ◇ **Operating Temperature:** -55°C ~ +125°C
- ◇ **RoHS Compliant**

Outline Drawing (mm)



2.92 Male

Part Number	Frequency Range(GHz)	VSWR (Max.)	Dimensions (mm)	Weight (g)
CT50-10-2.92-40	DC-40	1.35:1 @DC-40GHz	Φ 40.5 x 29.8	20

Notes:

1. Input power shall meet the requirements of the power derating.
2. General peak power 10 times rated power (5 μ s pulse width, 1% duty cycle).